

**57" CARRIE  
ACRYLIC DOUBLE  
ROLL TOP TUB**

Cat. No.  
ATDR7H59B



L: 57"  
W: 31"  
H: 24"

Water depth: 18" to top of tub  
Water depth: 13-1/2" to overflow

**The following is recommended for ATDR7H tubs:**

- Rim-Mount Faucets: part #4046 or #4045
- Use with Straight Bath Supplies: part #5577
- Leg tub drain: part #5599LT or 5599TS



Overflow can be drilled .  
With overflow drilled this tub  
requires drain **5599**.  
**Tubs that have been  
drilled with overflow are  
"special order" and  
are not returnable.**

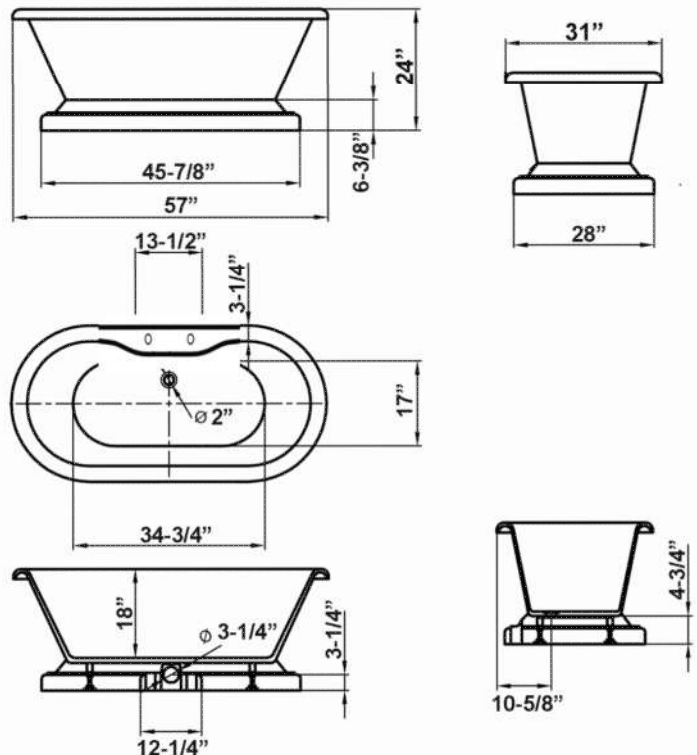
Gallon Capacity: 45  
Shipping Weight: 146 lbs.  
Empty Weight: 86 lbs.  
Filled Weight: 483 lbs.

**Features:**

- ▶ Interior and exterior walls 5mm acrylic sheets
- ▶ Space between walls completely filled with fiberglass & resin
- ▶ 7" centers in tub deck
- ▶ No overflow
- ▶ Tub rim is 3" wide
- ▶ Includes base
- ▶ Built-in adjusters included
- ▶ Tub is thoroughly inspected before shipment
- ▶ Not compatible with the air jet system



**Custom Colors Available** (inside of tub is always white enamel):  
Painted bathtubs are considered "special order" and are not returnable  
\$160 Bisque or Black \$250 Designer Color



Dimensions of fixture are nominal and specifications subject to change without notice.